

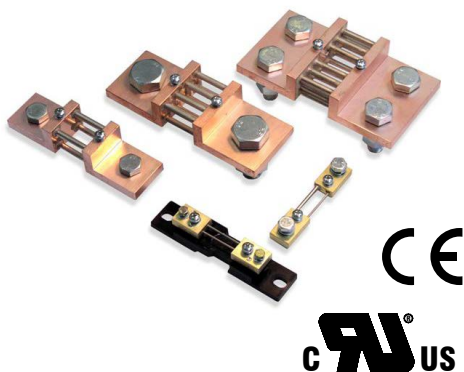
B2, B3, B4, B5, B6 MEASURING SHUNTS

FEATURES:

1 A
...
18 kA

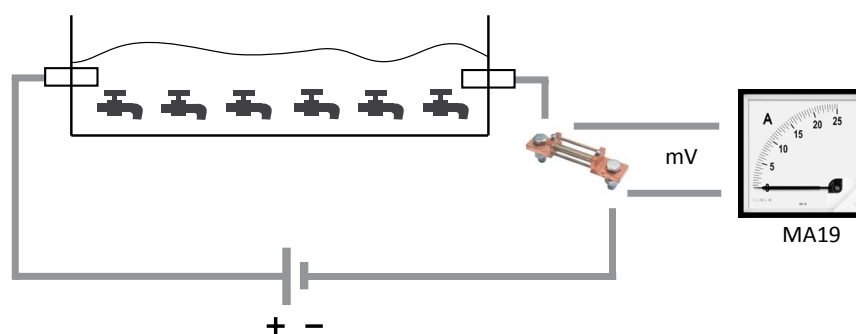
Class
0.5

DIN
35 mm



- Extension of d.c. current measuring ranges of moving-coil ammeters.
- Accuracy class 0.5.
- Shunts of 1...25 A ranges (and on request, B2 40...150 A) are fixed on an isolating base.
- The isolating base is adapted to be assembled on a 35 mm DIN rail.
- On request, additional chemical coating are available: laccering, silver or nickel plating.

EXAMPLE OF APPLICATION



Process of fittings electroplating.

INPUT:

I

DC

OUTPUTS:

50 mV

60 mV

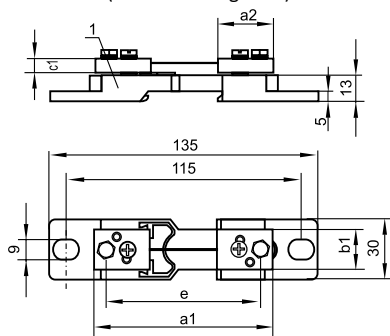
75 mV

100 mV

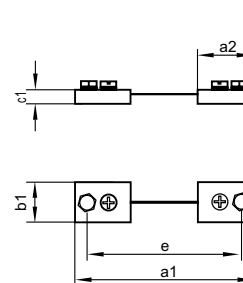
150 mV

KIND OF VERSION

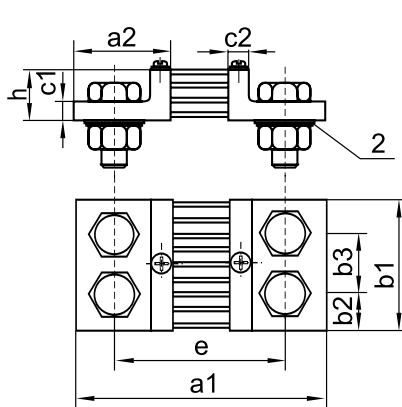
Version A (on an isolating base)



Version D



Version B



Version C

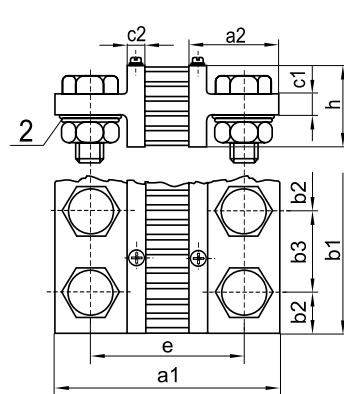


Fig.1. Fixing dimensions of shunts
1 - isolating base, 2 - round spring washer.

Export department:
English: +48 68 45 75
139/ 233/ 321/ 386
e-mail: export@lumel.com.pl

LUMEL S.A.
ul. Sulechowska 1
65-022 Zielona Góra
POLAND

WWW.LUMEL.COM.PL

B2, B3, B4, B5, B6 MEASURING SHUNTS

B2 60 mV											Current terminals				
IN [A]	Ver-sion	a1	a2	b1	b2	b3	c1	c2	e	h	Weight [kg]	LZ	Bolt	P	N
1; 1.5; 2.5; 4; 6; 10; 15; 25	A	90	28	20	-	-	8	-	78	-	0.13	2 x 1	M5 x 12	5.5	-
40, 60, 100, 150	A, D	100	33	20	-	-	8	-	80	-	0.13	2 x 1	M8 x 16	8.5	-
250	B	145	55	30	15	-	10	10	105	30	0.60	2 x 1	M12 x 40	13	M12
400	B	145	55	40	20	-	10	10	105	30	0.85	2 x 1	M16 x 45	17	M16
600	B	145	55	40	20	-	10	10	105	30	0.85	2 x 1	M16 x 45	17	M16
1000	B	165	65	60	30	-	10	10	115	30	1.45	2 x 1	M20 x 50	21	M20
1500	B	165	65	90	21	48	10	10	115	30	2.00	2 x 2	M16 x 45	17	M16
2500	B	165	65	120	30	60	10	10	115	30	2.90	2 x 2	M20 x 50	21	M20
4000	C	165	65	120	30	60	15	10	115	60	4.30	2 x 2	M20 x 60	21	M20
6000	C	175	70	154	25	52	25	15	125	130	10.50	2 x 3	M20 x 75	21	M20
10000	C	185	75	206	25	52	30	20	135	170	21.00	2 x 4	M20 x 80	21	M20
15000	C	185	75	310	25	52	30	20	135	170	32.00	2 x 6	M20 x 80	21	M20



B2

B3 150 mV											Current terminals				
IN [A]	Ver-sion	a1	a2	b1	b2	b3	c1	c2	e	h	Weight [kg]	LZ	Bolt	P	N
1; 1.5; 2.5; 4; 6; 10; 15; 25	A	90	28	20	-	-	8	-	78	-	0.14	2 x 1	M5 x 12	5.5	-
40, 60, 100, 150	D	225	33	25	-	-	8	-	205	-	0.23	2 x 1	M8 x 16	8.5	-
250	B	270	55	30	15	-	10	10	230	50	0.68	2 x 1	M12 x 40	13	M12
400	B	270	55	40	20	-	10	10	230	50	1.05	2 x 1	M16 x 45	17	M16
600	B	270	55	40	20	-	10	10	230	50	1.16	2 x 1	M16 x 45	17	M16
1000	B	290	65	70	35	-	10	10	240	60	2.15	2 x 1	M20 x 50	21	M20
1500	C	290	65	90	21	48	15	10	240	60	3.10	2 x 2	M16 x 60	17	M16
2500	C	290	65	120	30	60	15	10	240	60	5.20	2 x 2	M20 x 60	21	M20
4000	C	300	70	120	30	60	25	15	250	130	8.30	2 x 2	M20 x 75	21	M20
6000	C	300	70	154	25	52	25	15	250	130	15.00	2 x 3	M20 x 75	21	M20
10000	C	310	75	206	25	52	30	20	260	170	28.00	2 x 4	M20 x 80	21	M20
15000	C	310	75	310	25	52	30	20	260	170	35.00	2 x 6	M20 x 80	21	M20



B3

B4 50 mV											Current terminals				
IN [A]	Ver-sion	a1	a2	b1	b2	b3	c1	c2	e	h	Masa [kg]	LZ	Bolt	P	N
1; 1.5; 2.5; 4; 6; 10; 15; 25	A	90	28	20	-	-	8	-	78	-	0.13	2 x 1	M5 x 12	5.5	-
40, 60, 100, 150	D	93	33	20	-	-	8	-	73	-	0.13	2 x 1	M8 x 16	8.5	-
250	B	138	55	30	15	-	10	10	98	30	0.60	2 x 1	M12 x 40	13	M12
400	B	138	55	40	20	-	10	10	98	30	0.85	2 x 1	M16 x 45	17	M16
600	B	138	55	40	20	-	10	10	98	30	0.85	2 x 1	M16 x 45	17	M16
1000	B	158	65	60	30	-	10	10	108	30	1.45	2 x 1	M20 x 50	21	M20
1500	B	158	65	90	21	48	10	10	108	30	2.00	2 x 2	M16 x 45	17	M16
2500	B	158	65	120	30	60	10	10	108	30	2.90	2 x 2	M20 x 50	21	M20
4000	C	158	65	120	30	60	15	10	108	60	4.30	2 x 2	M20 x 60	21	M20
6000	C	168	70	154	25	52	25	15	118	130	10.50	2 x 3	M20 x 75	21	M20
10000	C	178	75	206	25	52	30	20	128	170	21.00	2 x 4	M20 x 80	21	M20
15000	C	178	75	310	25	52	30	20	128	170	32.00	2 x 6	M20 x 80	21	M20



B4

Export department:
English: +48 68 45 75
139/ 233/ 321/ 386
e-mail: export@lumel.com.pl

LUMEL S.A.
ul. Sulechowska 1
65-022 Zielona Góra
POLAND

WWW.LUMEL.COM.PL

B2, B3, B4, B5, B6 MEASURING SHUNTS


B5

B6

B5 75 mV												Current terminals			
IN [A]	Ver-sion	a1	a2	b1	b2	b3	c1	c2	e	h	Weight [kg]	LZ	Bolt	P	N
1; 1.5; 2.5; 4; 6; 10; 15; 25	A	90	28	20	-	-	8	-	78	-	0.14	2 x 1	M5 x 12	5.5	-
40, 60, 100, 150	D	115	33	25	-	-	8	-	95	-	0.17	2 x 1	M8 x 16	8.5	-
250	B	160	55	30	15	-	10	10	120	30	0.63	2 x 1	M12 x 40	13	M12
400	B	160	55	40	20	-	10	10	120	30	0.92	2 x 1	M16 x 45	17	M16
600	B	160	55	40	20	-	10	10	120	30	1.00	2 x 1	M16 x 45	17	M16
1000	B	180	65	60	30	-	10	10	130	30	1.75	2 x 1	M20 x 50	21	M20
1500	B	180	65	120	30	60	10	10	130	30	2.30	2 x 2	M16 x 45	17	M16
2500	C	180	65	120	30	60	15	10	130	60	3.10	2 x 2	M20 x 60	21	M20
4000	C	190	70	120	30	60	25	15	140	130	5.20	2 x 2	M20 x 75	21	M20
6000	C	190	70	154	25	52	25	15	140	130	11.20	2 x 3	M20 x 75	21	M20
10000	C	200	75	206	25	52	30	20	150	170	22.00	2 x 4	M20 x 80	21	M20
15000	C	200	75	310	25	52	30	20	150	170	33.00	2 x 6	M20 x 80	21	M20

B6 100 mV												Current terminals			
IN [A]	Ver-sion	a1	a2	b1	b2	b3	c1	c2	e	h	Weight [kg]	LZ	Bolt	P	N
1; 1.5; 2.5; 4; 6; 10; 15; 25	A	90	28	20	-	-	8	-	78	-	0.14	2 x 1	M5 x 12	5.5	-
40, 60, 100, 150	D	145	33	25	-	-	8	-	125	-	0.20	2 x 1	M8 x 16	8.5	-
250	B	190	55	30	15	-	10	10	150	30	0.65	2 x 1	M12 x 40	13	M12
400	B	190	55	40	20	-	10	10	150	30	1.00	2 x 1	M16 x 45	17	M16
600	B	190	55	40	20	-	10	10	150	30	1.11	2 x 1	M16 x 45	17	M16
1000	B	210	65	60	30	-	10	10	160	30	2.00	2 x 1	M20 x 50	21	M20
1500	B	210	65	120	30	60	10	10	160	30	2.50	2 x 2	M16 x 45	17	M16
2500	C	210	65	120	30	60	15	10	160	60	3.20	2 x 2	M20 x 60	21	M20
4000	C	220	70	120	30	60	25	15	170	130	5.80	2 x 2	M20 x 75	21	M20
6000	C	220	70	154	25	52	25	15	170	130	12.00	2 x 3	M20 x 75	21	M20
10000	C	230	75	206	25	52	30	20	180	170	23.00	2 x 4	M20 x 80	21	M20
15000	C	230	75	310	25	52	30	20	180	170	34.00	2 x 6	M20 x 80	210	M20

IN - rated current

LZ - number of terminals

Bolt - hexagon bolt

P - washer

N - nut

Voltage terminals - two M5 x 8 cylinder-head bolts with a cruciform cavity + 5.5 washers + 5.1 spring washers

TECHNICAL DATA		
Electromagnetic compatibility	noise immunity	acc. to EN 61000-6-2
	noise emissions	acc. to EN 61000-6-4
Overload range	continuously 5 s max. ≤ 2,000 A > 2,000...10,000 A	1.2 times rated current 5 times rated current 5 times rated current acc. to EN 60051-8:2000
Accuracy class	0.5	
Additional error from ambient temperature	0.5 % / 10°C	
Climatic suitability	climatic class 3	acc. to VDE/VDI 3540
Operating temperature	-10...+55°C	
Storage temperature	-25...+65°C	
Relative humidity	≤ 75% annual average, non-condensing	
Shunt calibration	B2, B4, B5, B6 of 1 .. 10 A ranges	considering the 10 mA current of the meter measuring element
	B3 of 1 .. 10 A ranges	considering the 10 mA current of the meter measuring element
Shunts dimensions	acc. to DIN 43 703 standard	
Testing voltage of shunts with an isolating base	5 kV	
Resistance of a pair of wires connecting the shunt to the meter	35 mΩ or 75 Ω, wires are not delivered with the shunt	

Export department:
 English: +48 68 45 75
 139/ 233/ 321/ 386
 e-mail: export@lumel.com.pl

LUMEL S.A.
 ul. Sulechowska 1
 65-022 Zielona Góra
 POLAND

WWW.LUMEL.COM.PL

ORDERING

Shunt-	XX XXX	XXXXX	X	X	XX	X	X
Voltage drop:							
60 mV	B2 060						
150 mV	B3 150						
50 mV	B4 050						
75 mV	B5 075						
100 mV	B6 100						
Measuring range and version:							
range designation acc. to the Table 1		XXXXX					
External coating:							
standard				0			
tropical				T			
Fixing bolts:							
without bolts					0		
with bolts					1		
Version:							
standard						00	
custom-made acc. to the Table 2 or after agreeing with the manufacturer						XX	
Language version:							
Polish							P
English							E
Acceptance tests:							
without extra quality inspection requirements							0
with an extra quality inspection certificate							1
with a checking certificate							2

SEE ALSO:



Moving-coil meters of MA series.



Digital meters N24, N25.



Measuring transducers of P20 series.

Table 1

Measuring range	Coding for B2	Coding for B3	Coding for B4	Coding for B5 and B6
1 A	1A00A	1A00A	1A00A	1A00A
1.5 A	1A50A	1A50A	1A50A	1A50A
2.5 A	2A50A	2A50A	2A50A	2A50A
4 A	4A00A	4A00A	4A00A	4A00A
6 A	6A00A	6A00A	6A00A	6A00A
10 A	10A0A	10A0A	10A0A	10A0A
15 A	15A0A	15A0A	15A0A	15A0A
25 A	25A0A	25A0A	25A0A	25A0A
40 A	40A0D or 40A0A	40A0D	40A0D	40A0D
60 A	60A0D or 60A0A	60A0D	60A0D	60A0D
100 A	100AD or 100AA	100AD	100AD	100AD
150 A	150AD or 150AA	150AD	150AD	150AD
250 A	250AB	250AB	250AB	250AB
400 A	400AB	400AB	400AB	400AB
600 A	600AB	600AB	600AB	600AB
1000 A	1k00B	1k00B	1k00B	1k00B
1500 A	1k50B	1k50B	1k50B	1k50B
2500 A	2k50B	2k50B	2k50B	2k50B
4000 A	4k00C	4k00C	4k00C	4k00C
6000 A	6k00C	6k00C	6k00C	6k00C
10000 A	10k0C	10k0C	10k0C	10k0C
15000 A	15k0C	15k0C	15k0C	15k0C

Table 2

Version	B2 and B4	B5 and B6	B3
On the base of 25 A	A1	A1	A1
On the base of 150 A	A2	A2	A2
On the base of 250 A	B1	B1	B1
On the base of 400 A	B2	B2	B2
On the base of 600 A	B3	B3	B3
On the base of 1000 A	B4	B4	B4
On the base of 1500 A	B5	B5	C1
On the base of 2500 A	B6	C1	C2
On the base of 4000 A	C1	C2	C3
On the base of 6000 A	C2	C3	C4
On the base of 10000 A	C3	C4	C5
On the base of 15000 A	C4	C5	C6

Example of order:

The ordering code: **B2 060-1A00A-0-1-00-E-1** means:

- B2 060** - shunt B2 with voltage drop 60 mV
- 1A00A** - measuring range: 1 A, version on an isolating base
- 0** - standard external coating
- 1** - with fixing bolts
- 00** - standard version
- E** - English language version
- 1** - with an extra quality inspection certificate.

Export department:
English: +48 68 45 75
139/ 233/ 321/ 386
e-mail: export@lumel.com.pl

LUMEL S.A.
ul. Sulechowska 1
65-022 Zielona Góra
POLAND

WWW.LUMEL.COM.PL